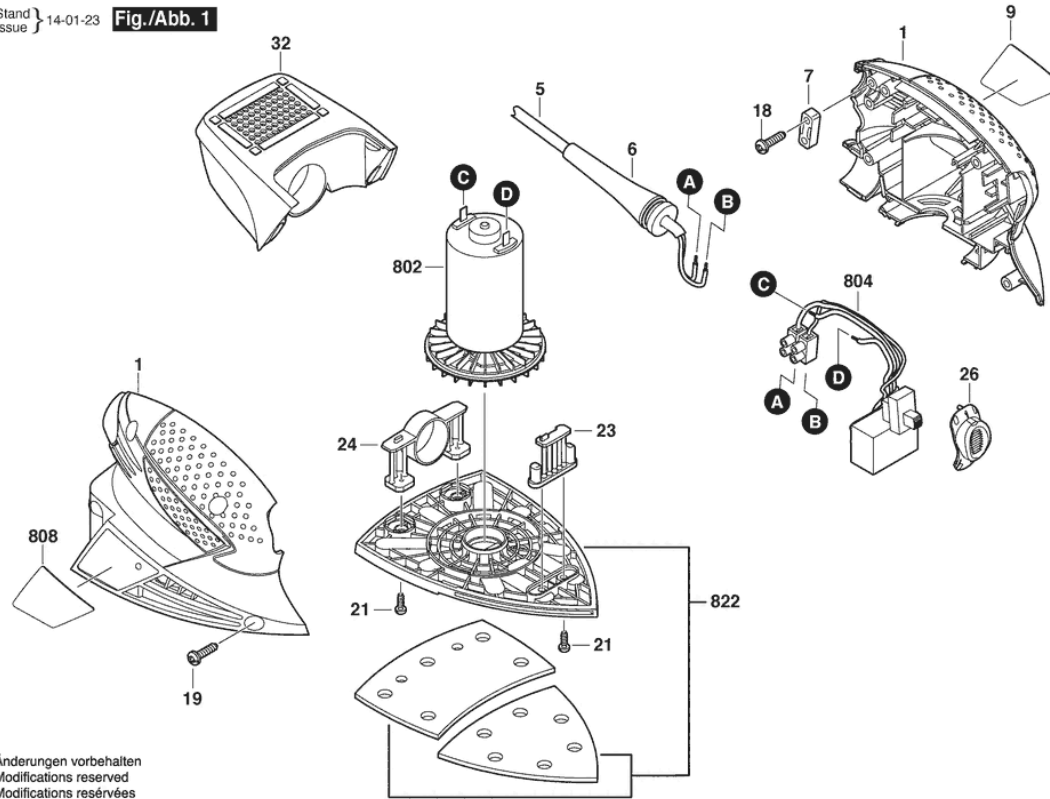


Illustration - Type - E

3 603 CB7 000

Stand } 14-01-23 **Fig./Abb. 1**



## Spare parts list

Item	Part Number	Description	Illustration
1	2 609 001 234	Housing	1
5	2 604 460 260	Power supply cord EU 2,7M 2 X 0,75MM H05 VV-F	1
6	2 609 002 019	Grommet	1
7	2 601 035 004	Cable Clip	1
9	1 601 11C 03E	Manufacturer's nameplate PSM 100 A	1
18	2 603 490 022	Screw 4X16	1
21	2 603 490 017	Torx Oval-Head Screw 3X10	1
23	2 609 001 421	Oscillation Insert	1
24	2 609 001 650	Vibration Foot	1
26	2 609 001 237	Slide Button	1
32	2 609 001 238	Dust container	1
802	2 609 001 935	DC motor	1
804	2 609 001 936	Switch	1
808	1 601 11A 2WH	Nameplate	1
822	2 609 001 937	Sander Plate	1